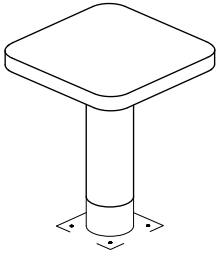


Design: Mark Nagy-Mihaly

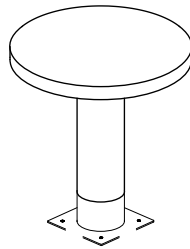
Year: 2020

## ELEMENTS

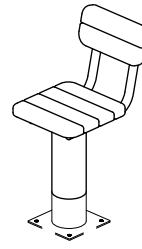
TAB-Q



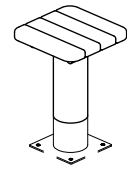
TAB-R



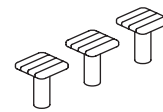
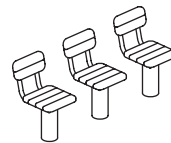
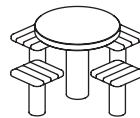
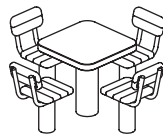
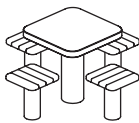
TAB-S-T



TAB-S



## SAMPLE COMBINATIONS



Design: Mark Nagy-Mihaly  
Year: 2020

## INFO

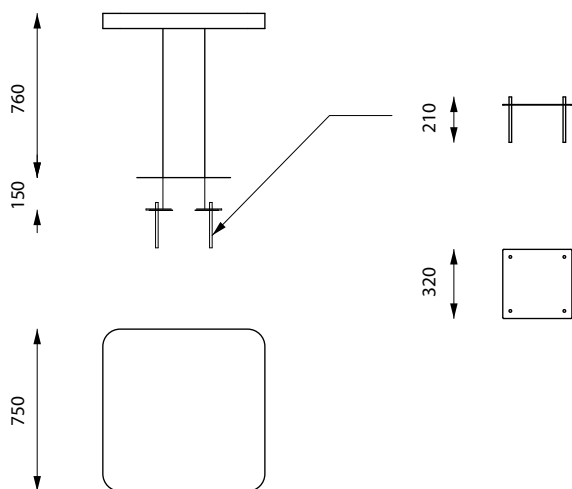
Material:	high performance concrete (HPC)
Standard colour:	white
Finish:	natural cast
Treatment:	impregnated
Metal:	powder coated galvanized steel
Standard metal colour:	anthracite gray – RAL 7016
Lifting:	with lifting straps
Placement:	on load-bearing, ready-to-use walking surface
Fixing:	by anchoring
Cleaning:	with neutral detergent



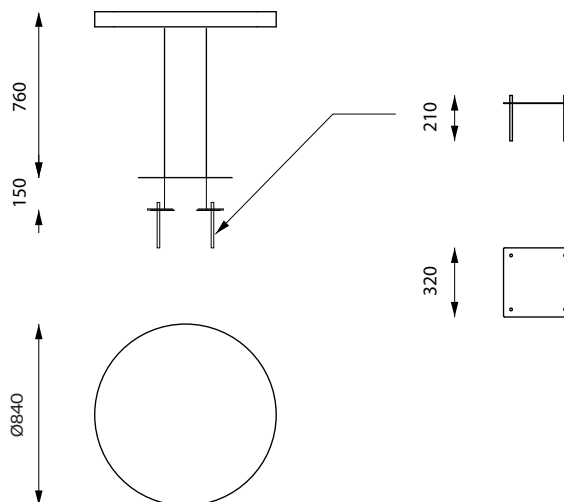
## MEASUREMENTS

0 500 mm

TAB-Q  
TAB-Q-G/ with graphics  
125 kg



TAB-R  
TAB-R-G/ with graphics  
125 kg



## INSTALLATION

The product may be lifted with lifting straps. The product is fixed with anchor bolts to concrete foundation. For further information see Installation Guide.

## MAINTENANCE

The product may be cleaned with neutral detergent. For further information see Maintenance Guide.

# TABELLA

TABLE AND SEAT



Design: Mark Nagy-Mihaly  
Year: 2020

## INFO

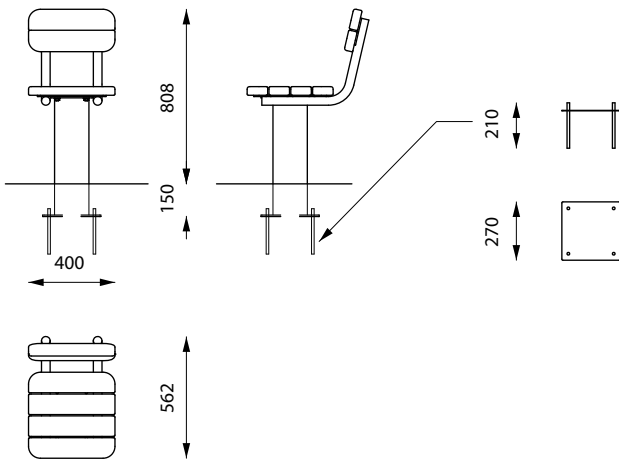
Material:	high performance concrete (HPC)
Standard colour:	white
Finish:	natural cast
Treatment:	impregnated
Metal:	powder coated galvanized steel
Standard metal colour:	anthracite gray – RAL 7016
Seat:	oiled ash / varnished ash
Lifting:	with lifting straps
Placement:	on load-bearing, ready-to-use walking surface
Fixing:	by anchoring
Cleaning:	with neutral detergent



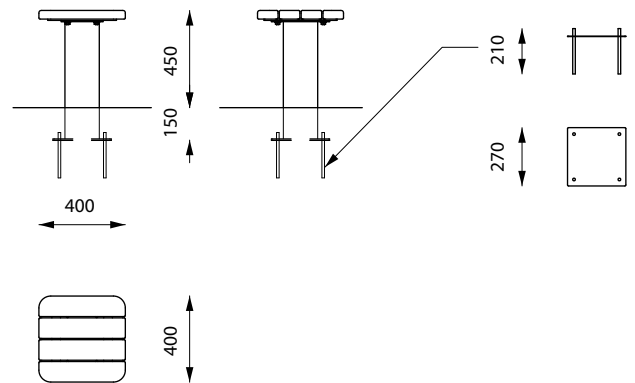
## MEASUREMENTS

0 500 mm

TAB-S-T  
35 kg



TAB-S  
25 kg



## INSTALLATION

The product may be lifted with lifting straps. The product is fixed with anchor bolts to concrete foundation. For further information see Installation Guide.

## MAINTENANCE

The product may be cleaned with neutral detergent. For further information see Maintenance Guide.