

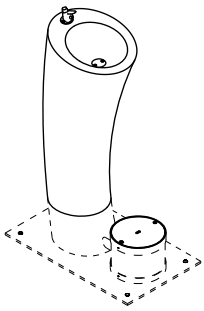
Design: Péter István Varga, Márk Nagy-Mihály

Year: 2021

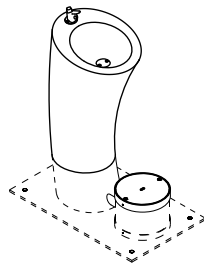


ELEMENTS

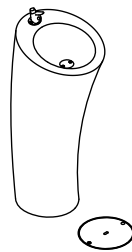
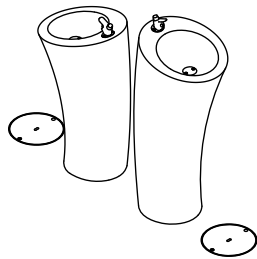
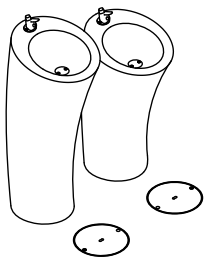
KRL-L



KRL-S



SAMPLE COMBINATIONS



Design: Péter István Varga, Márk Nagy-Mihály
Year: 2021

INFO

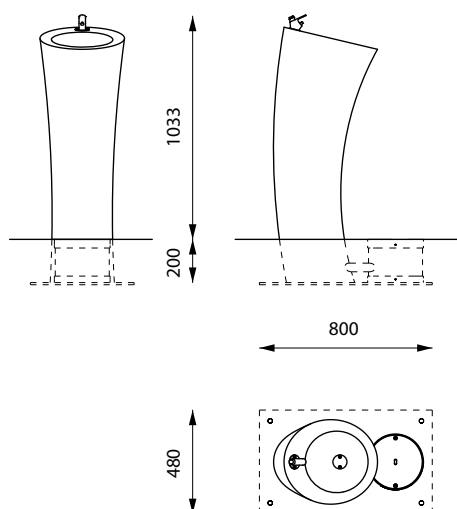
Material:	high performance concrete (HPC)
Standard colour:	white
Finish:	natural cast
Treatment:	impregnated
Metal:	stainless steel, chrome plated brass
Lifting:	with lifting straps
Placement:	on concrete foundation recessed with 20 cm
Fixing:	anchoring
Cleaning:	with neutral detergent



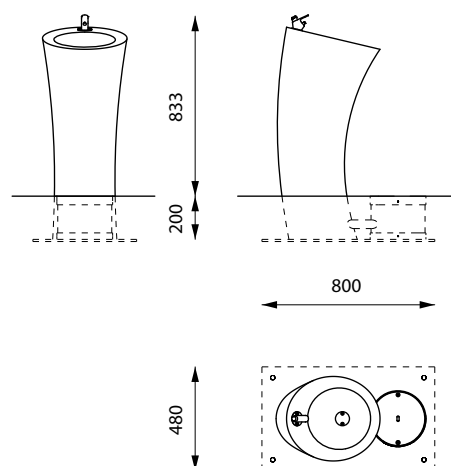
MEASUREMENTS

0 _____ 500 mm

KRL-L
270 kg



KRL-S
230 kg



INSTALLATION

The product may be lifted with lifting straps. The product is fixed with anchor bolts to concrete foundation. For further information see Installation Guide.

MAINTENANCE

The product may be cleaned with neutral detergent. For further information see Maintenance Guide.