

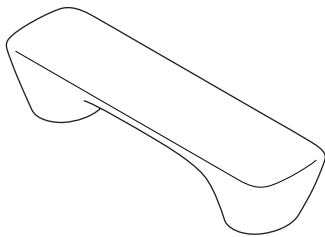
Design: Márk Nagy-Mihály

Year: 2021

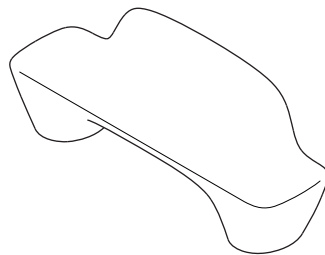


ELEMENTS

HLO-S



HLO-SB



Design: Márk Nagy-Mihály
Year: 2021

INFO

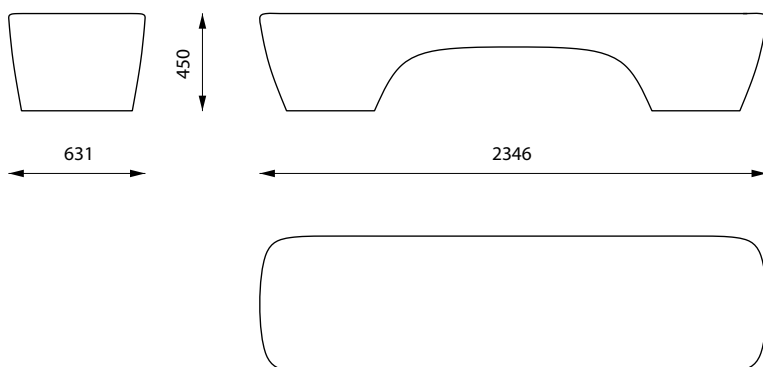
Material:	high performance concrete (HPC)
Standard colour:	white
Finish:	natural cast
Treatment:	impregnated
Seat:	HPL
Standard seat colour:	Zinc Yellow
Lifting:	with lifting straps
Placement:	on load-bearing, ready-to-use walking surface
Fixing:	with antifreeze adhesive/ by anchoring
Cleaning:	with neutral detergent



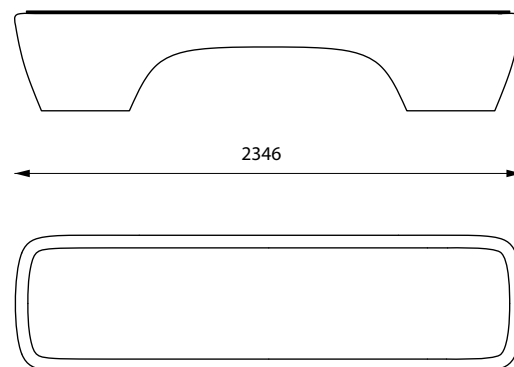
MEASUREMENTS

0  500 mm

HLO-S
855 kg



HLO-S-S/ with seat
865 kg



INSTALLATION

The product may be lifted with lifting straps. The product has to be fixed to the walking surface with antifreeze adhesive or by anchoring.

For further information see Installation Guide.

MAINTENANCE

The product may be cleaned with neutral detergent. For further information see Maintenance Guide.

Design: Márk Nagy-Mihály

Year: 2021

INFO

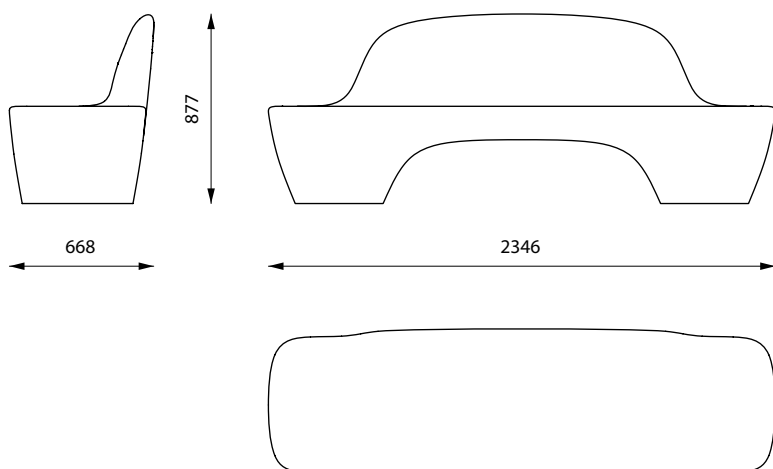
Material:	high performance concrete (HPC)
Standard colour:	white
Finish:	natural cast
Treatment:	impregnated
Seat:	HPL
Standard seat colour:	Zinc Yellow
Lifting:	with lifting straps
Placement:	on load-bearing, ready-to-use walking surface
Fixing:	with antifreeze adhesive/ by anchoring
Cleaning:	with neutral detergent



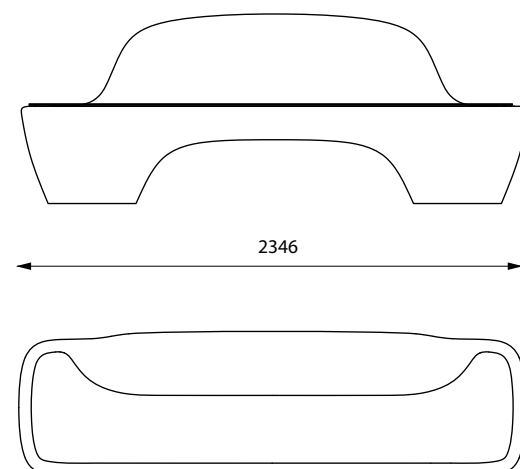
MEASUREMENTS

0  500 mm

HLO-SB
1050 kg



HLO-SB-S/ with seat
1060kg



INSTALLATION

The product may be lifted with lifting straps. The product has to be fixed to the walking surface with antifreeze adhesive or by anchoring.

For further information see Installation Guide.

MAINTENANCE

The product may be cleaned with neutral detergent. For further information see Maintenance Guide.