

Design: Mark Nagy-Mihaly

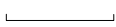
Year: 2023

## INFO

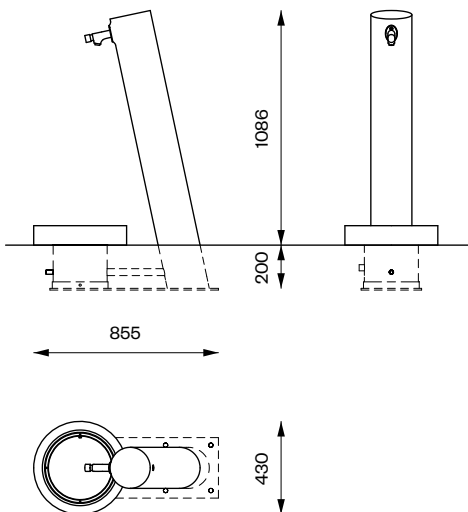
Material:	high performance concrete (HPC)
Standard colour:	white
Finish:	natural cast
Treatment:	impregnated
Lifting:	with lifting straps
Placement:	on concrete foundation
Fixing:	by anchoring
Water outlet:	Ø32 PVC pipe
Water inlet:	R 1/2" - min. 3 bar
Cleaning:	with neutral detergent



## MEASUREMENTS

0  500 mm

FRD  
120 kg



## INSTALLATION

The product may be lifted with lifting straps. The product is fixed with anchor bolts to concrete foundation. For further information see Installation Guide.

## MAINTENANCE

The product may be cleaned with neutral detergent. For further information see Maintenance Guide.