

ZIGZA WOOD

modular concrete furniture system

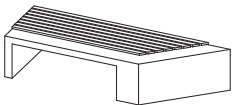
Design: Renata Paunoch, Peter Istvan Varga

Year: 2012

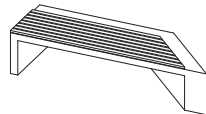


ELEMENTS

ZIGZA WOOD LEFT



ZIGZA WOOD RIGHT



EXTRAS

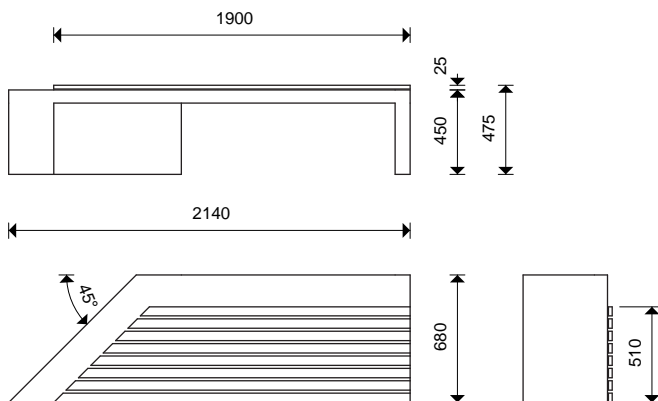
Can be combined with **DESA**.

INFO

Dimensions: 2140 x 680 x 450 mm
Weight: 415 kg
Material: cast high performance concrete (HPC)
Standard color: white
Finish: natural cast
Treatment: impregnated
Seat: pickled ash
Fixing: anchored with two steelbars

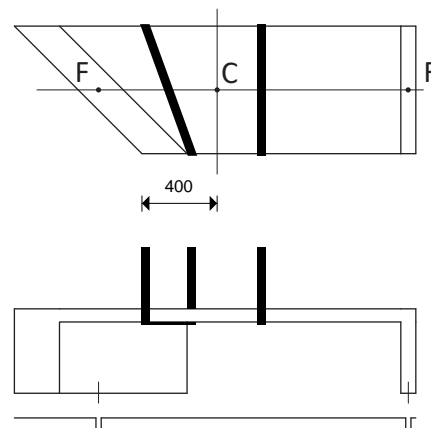


MEASUREMENTS



PLACEMENT

The bench may be lifted around its "C" point with lifting straps. The bench is fixed to the ground by two $\text{Ø}30 \times 50$ steel bar placed in a min. 70 mm deep hole drilled into the road surface and filled with adhesive used in similar cases.

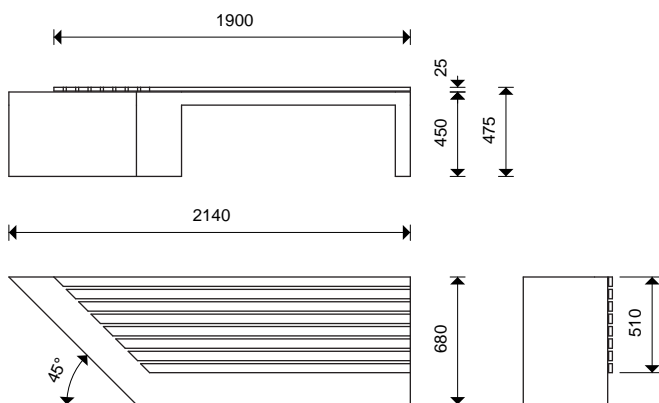


INFO

Dimensions: 2140 x 680 x 450 mm
Weight: 415 kg
Material: cast high performance concrete (HPC)
Standard color: white
Finish: natural cast
Treatment: impregnated
Fixing: anchored with two steelbars



MEASUREMENTS



PLACEMENT

The bench may be lifted around its "C" mass center with lifting straps. The bench is fixed to the ground by two M12x50 threaded rod first screwed in the two threaded insert on the bottom of the bench ("F") and then placed in a min. 50 mm deep hole drilled into the road surface and filled with adhesive used in similar cases. The distance between the two drilled holes is 1645 mm.

