

# DESA

## concrete plantener

Design: Peter Istvan Varga

Year: 2014



## INFO

**Dimensions:** 1642 x 680 x 45 mm

**Weight:** 408 kg

**Volume:** 130 l

**Material:** cast high performance concrete (HPC)

**Standard color:** white

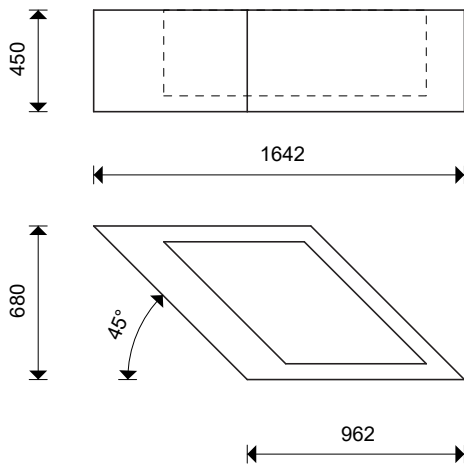
**Finish:** natural cast

**Treatment:** impregnated

**Fixing:** -



## MEASUREMENTS



## PLACEMENT

The plantener may be lifted by four M12 threaded lifting insert placed on the inner side of the walls in its center.

## EXTRAS

Can be combined with **ZIGZA**.