

Bench No. 17.

PARK BENCH



Design: Mark Nagy-Mihaly

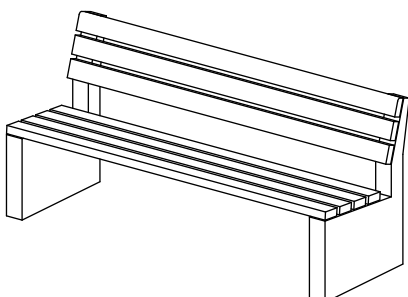
Year: 2020

Product family code: B17

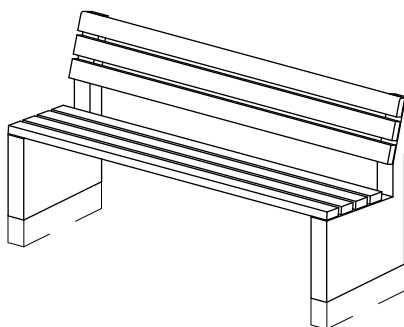


ELEMENTS

B17-B1



B17-B2



Bench No. 17.

PARK BENCH



Design: Mark Nagy-Mihaly

Year: 2019

Product codes: B17-B1-120, B17-B1-180, B17-B2-120, B17-B2-180

INFO

Dimensions: 1780/1180 x 659 x 833 mm

Weight: B1: 225 / 210 kg B2: 250 / 235 kg

Material: cast high performance concrete (HPC)

Finish: natural cast

Treatment: impregnated

Standard concrete colors : white / light grey / dark grey

Standard seats: oiled ash / varnished ash / painted pine

Fixing: anchored with four M12x100 bolts

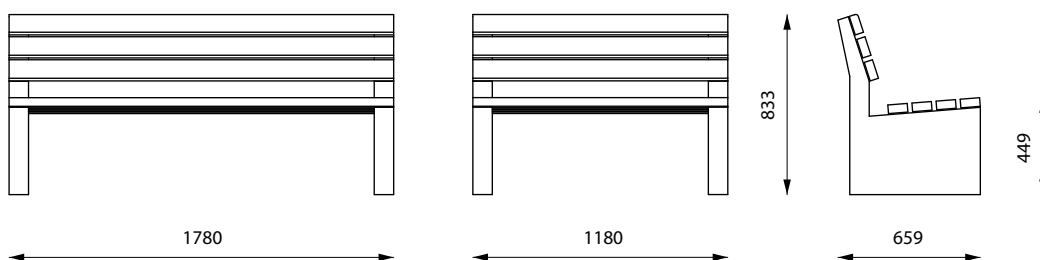


MEASUREMENTS

0 500 mm

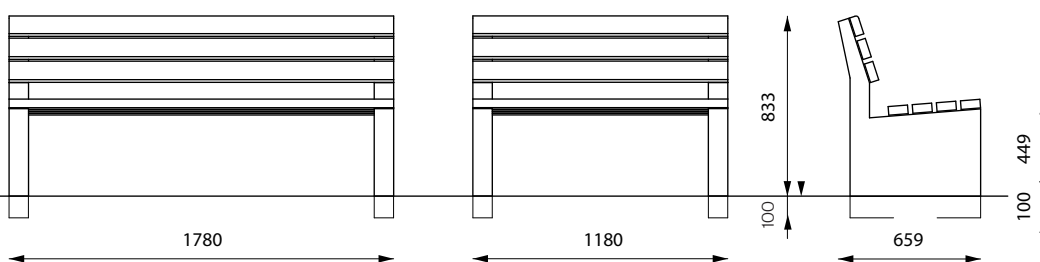
B17-B1-180

B17-B1-120



B17-B2-180

B17-B2-120



INSTALLATION

The bench may be lifted with lifting straps. The bench is anchored with four M12x100 bolts in Ø40x150 holes filled with adhesive.

